

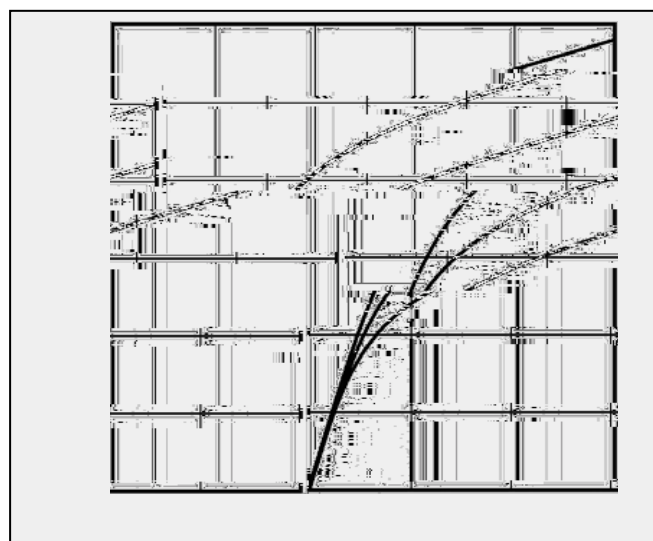
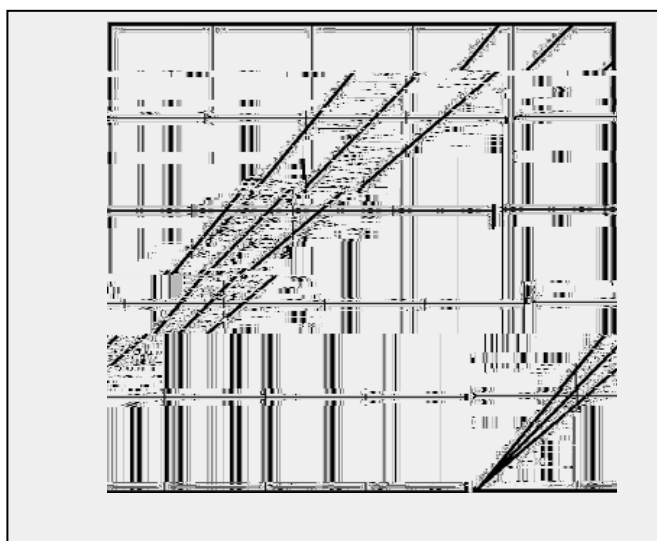


**Maximum Ratings**

Symbol	Conditions	Values	Units
$V_R$		600	V

---

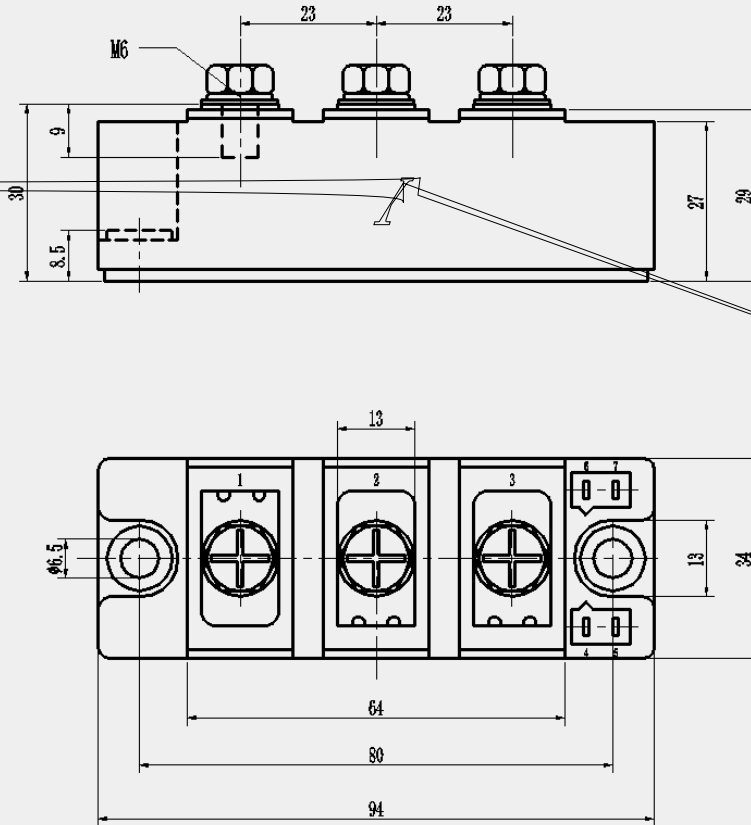
N·m  
N·m





### Package Outline Information

CASE: F2



Dimensions in mm