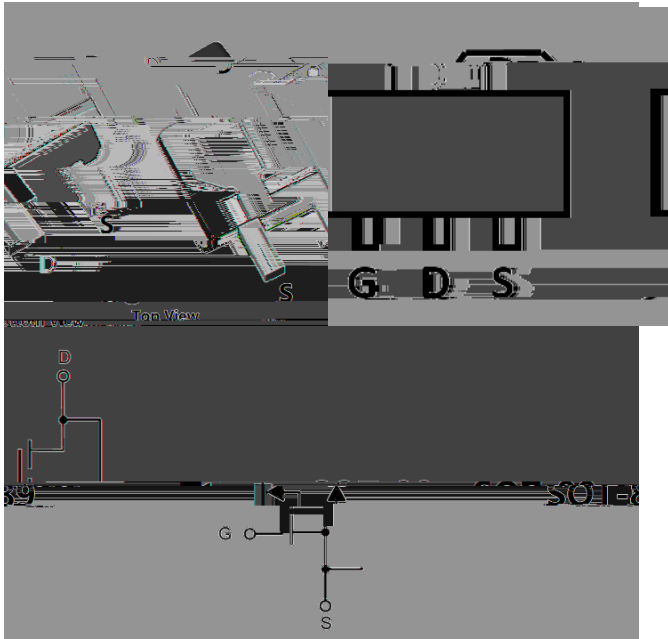




YJH10N02A

RoHS
COMPLIANT



$r_{DS(on)}$	11 mohm
$R_{DS(on)}$ (at $V_{GS}=2.5V$)	15 mohm
$R_{DS(on)}$ (at $V_{GS}=1.8V$)	20 mohm

General Description

Trench Power LV MOSFET technology

Halogen Free

Applications

DC-DC Converters
Power management functions

Absolute Maximum Ratings ($T_A=25$ unless otherwise noted)

Parameter	Symbol	Limit	Unit
-----------	--------	-------	------

Drain-source Voltage	V		
----------------------	---	--	--

A		I_{DM}	43	A
Total Power Dissipation	$T_A=25$	P_D	1.5	W
	$T_C=25$		4.0	W
Thermal Resistance Junction-to-Ambient ^B		R_{JA}	83	/W
Thermal Resistance Junction-to-Case		R_{JC}	31	/W
Junction and Storage Temperature Range		T_J, T_{STG}	-55 +150	

Ordering Information (Example)

PREFERRED P/N	PACKING CODE	Marking	MINIMUM PACKAGE(pcs)	INNER BOX QUANTITY(pcs)	OUTER CARTON QUANTITY(pcs)	DELIVERY MODE
YJH10N02A	F1	2010	1000	10000	40000	7" reel
	F2	2010	1000	8000	32000	7" reel



Typical Performance Characteristics

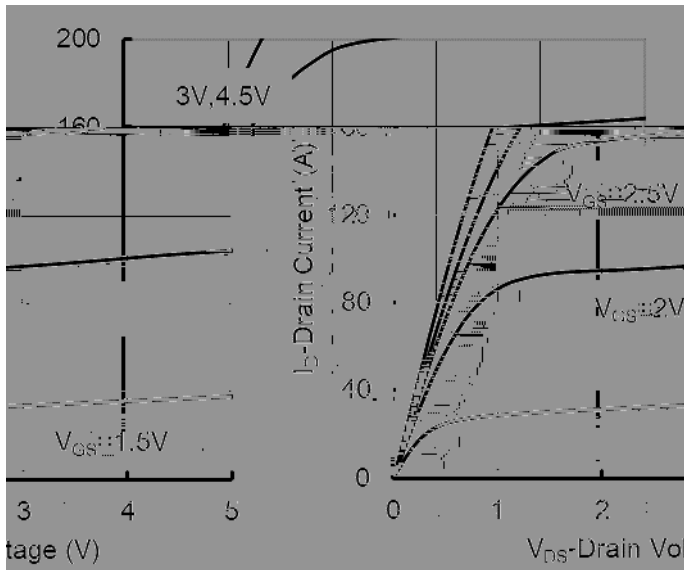


Figure1. Output Characteristics

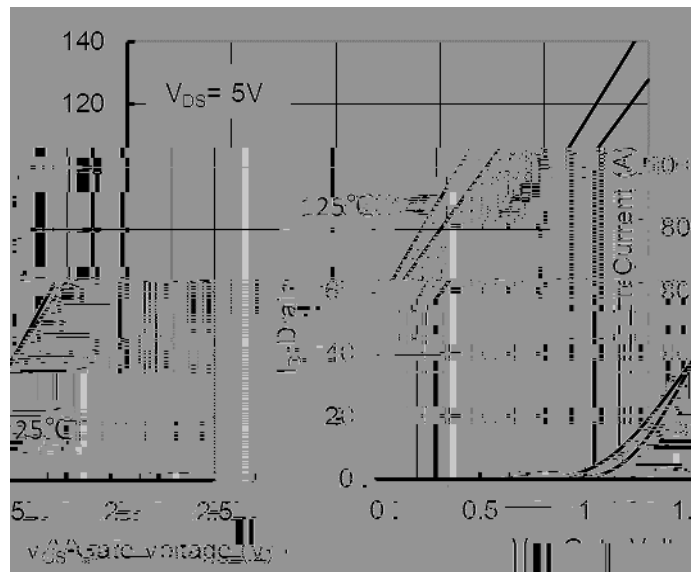


Figure2. Transfer Characteristics

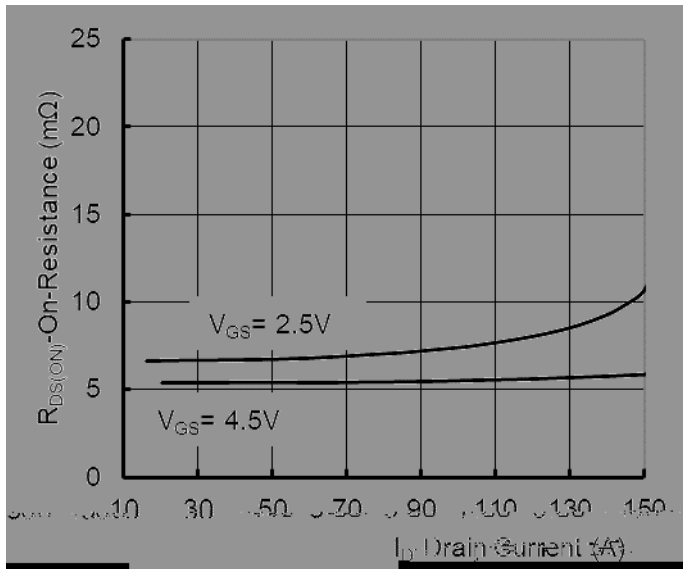


Figure3. On-Resistance vs. Drain Current

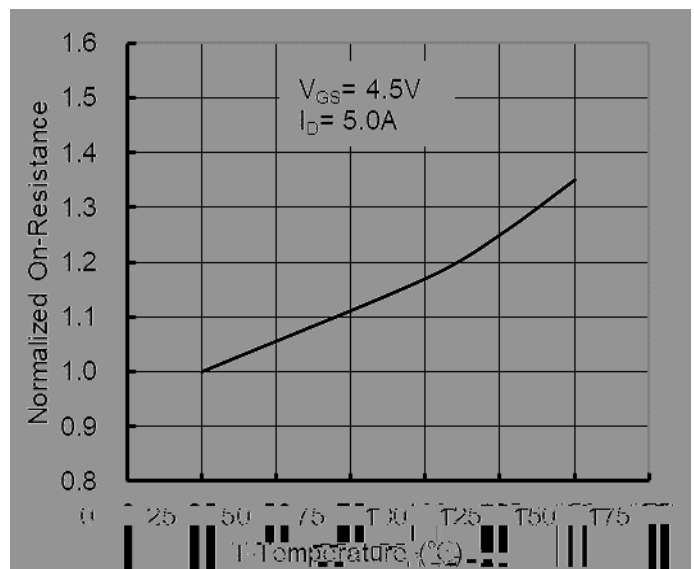


Figure4. On-Resistance vs. Junction Temperature

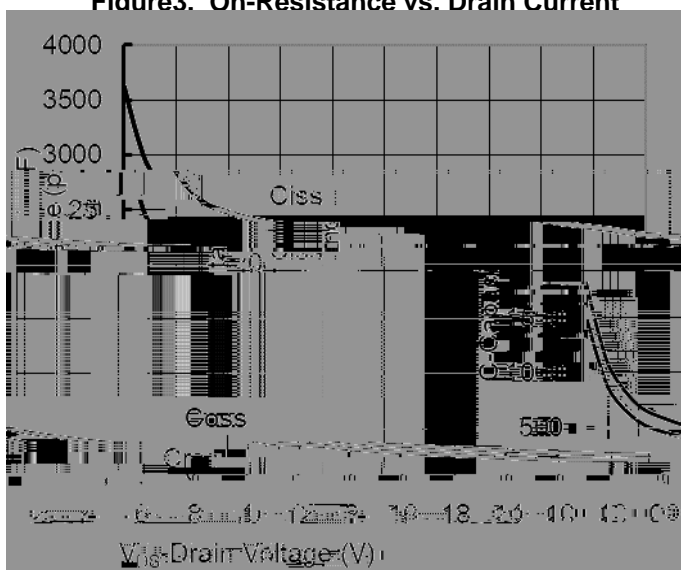


Figure5. Capacitance Characteristics

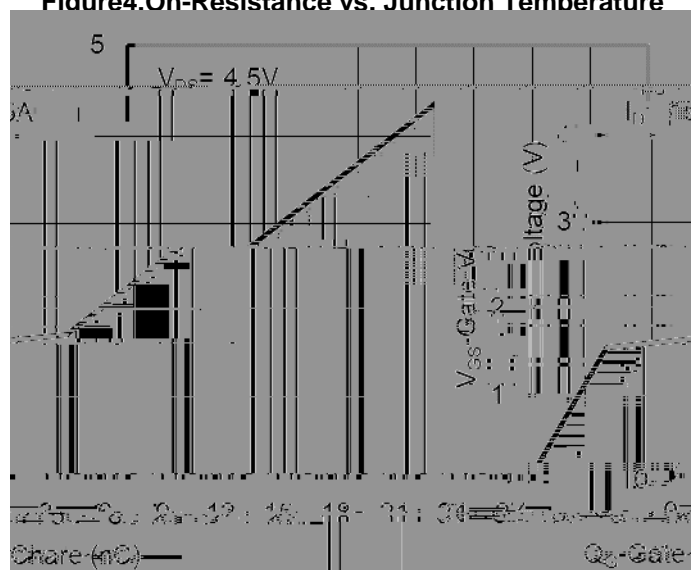
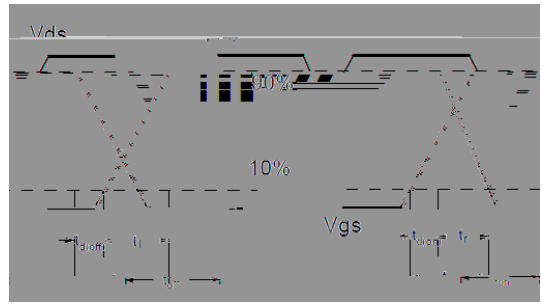
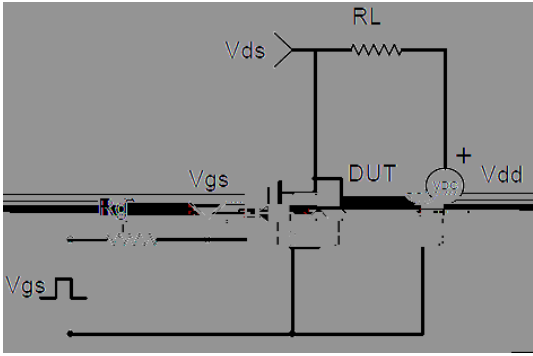


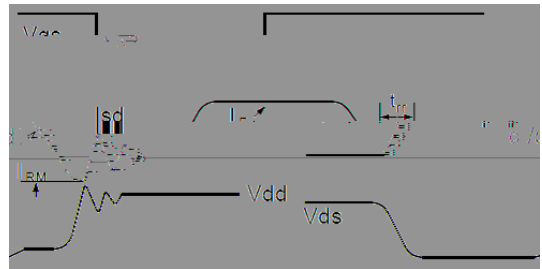
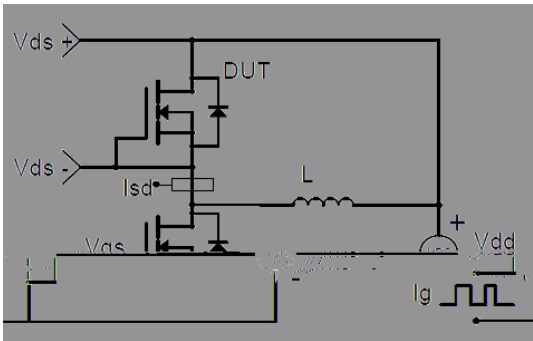
Figure6. Gate Charge

)LJXUH 6DIH 2SHUDWLRQ \$UHQD[LJXUH 0D[LPXP &RQWLQXRXV 'U
QW YV \$PELHQW 7HPSHUDWXU

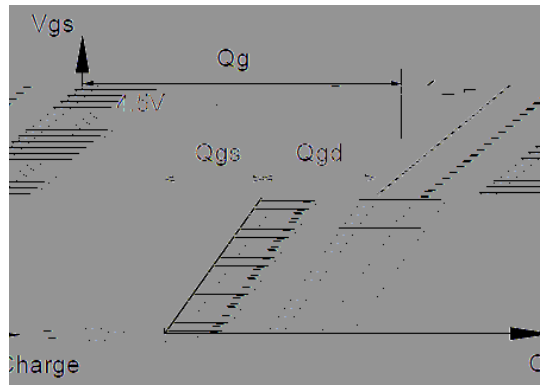
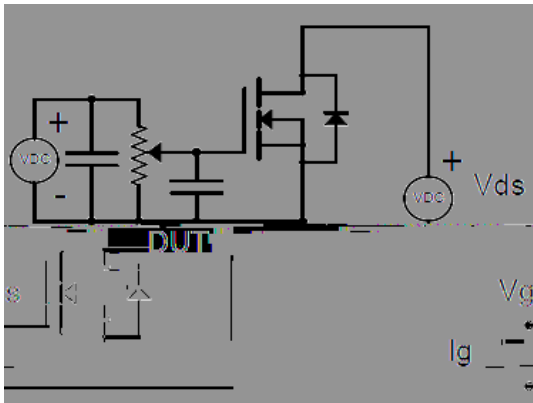
)LJXUH 1RUPDOL]HGDQFH 7KHUPDO ,PSHGDQFH



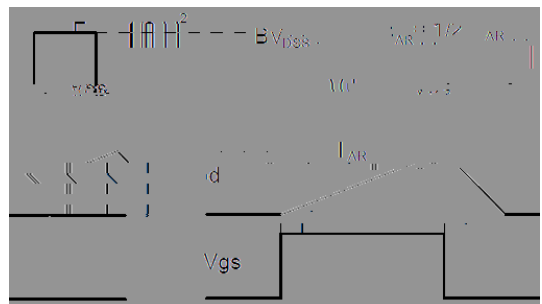
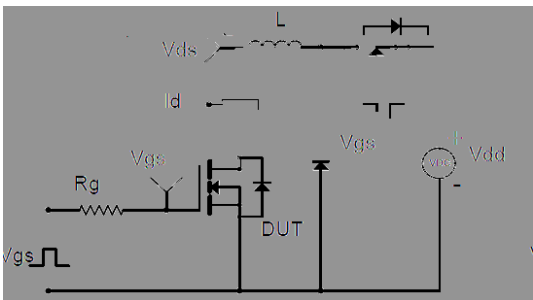
Resistive Switching Test Circuit & Waveforms



Diode Recovery Test Circuit & Waveforms



Gate Charge Test Circuit & Waveform



Unclamped Inductive Switching (UIS) Test Circuit & Waveforms



YJH10N02A

Disclaimer

The information presented in this document is for reference only. Yangzhou Yangjie Electronic Technology Co., Ltd. reserves the right to make changes without notice for the specification of the products displayed herein to improve reliability, function or design or otherwise.

The product listed herein is designed to be used with ordinary electronic equipment or devices, and not designed to be used with equipment or devices which require high level of reliability and the malfunction of which would directly endanger human life (such as medical instruments, transportation equipment, aerospace machinery, nuclear-reactor controllers, fuel controllers and other safety devices), Yangjie or anyone on its behalf, assumes no responsibility or liability for any damages resulting from such improper use of sale.

This publication supersedes & replaces all information previously supplied. For additional information, please visit our website [http:// www.21yangjie.com](http://www.21yangjie.com) , or consult your nearest Yangjie's sales office for further assistance.