



Transistor





Typical Performance Characteristics

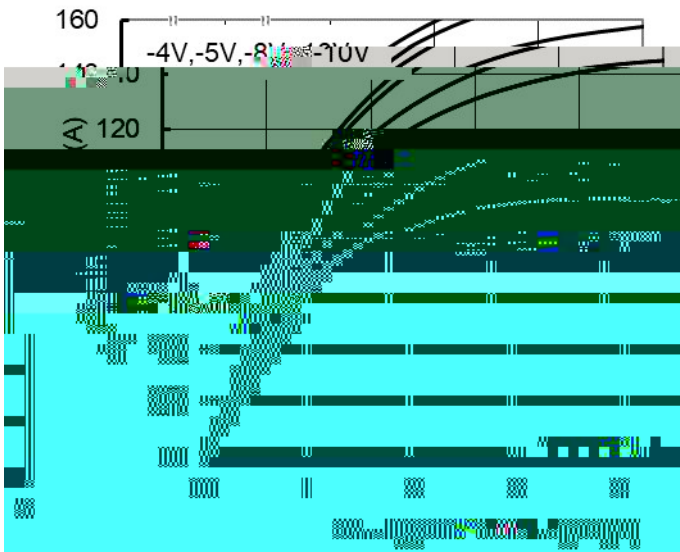


Figure 1. Output Characteristics

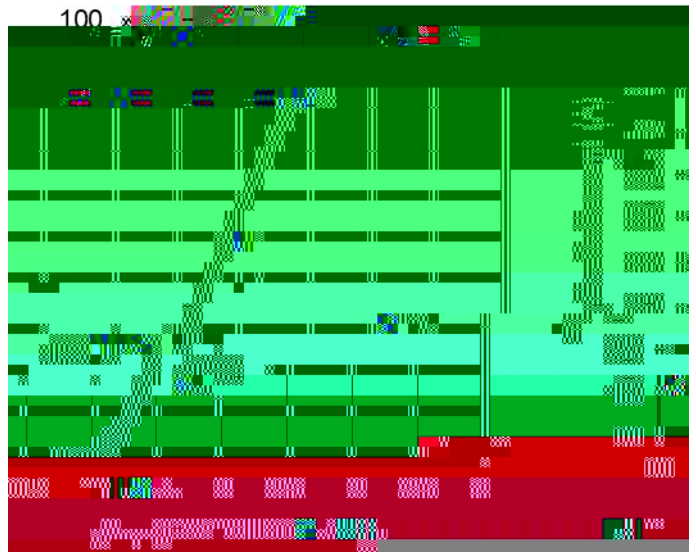


Figure 2. Transfer Characteristics

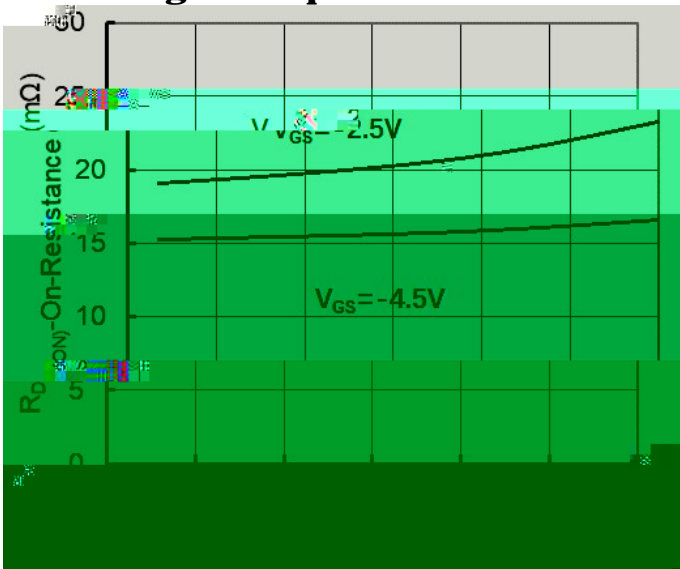


Figure 3. On-Resistance vs. Drain Current and Gate Voltage

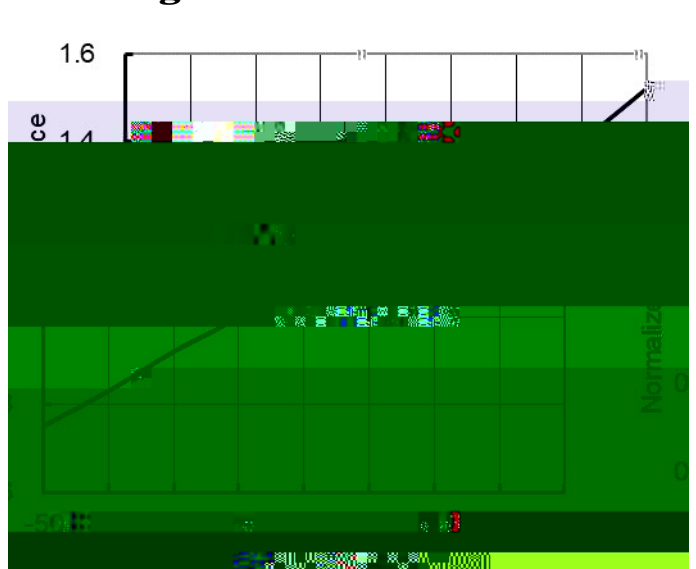


Figure 4. On-Resistance vs. Junction Temperature

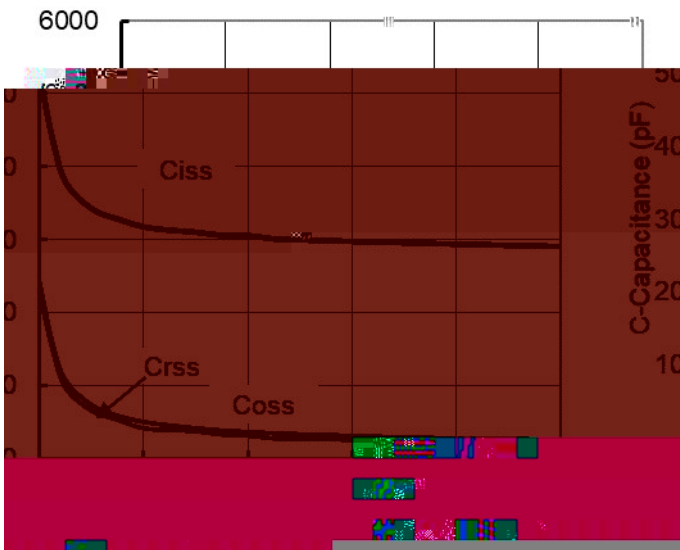


Figure 5. Capacitance Characteristics

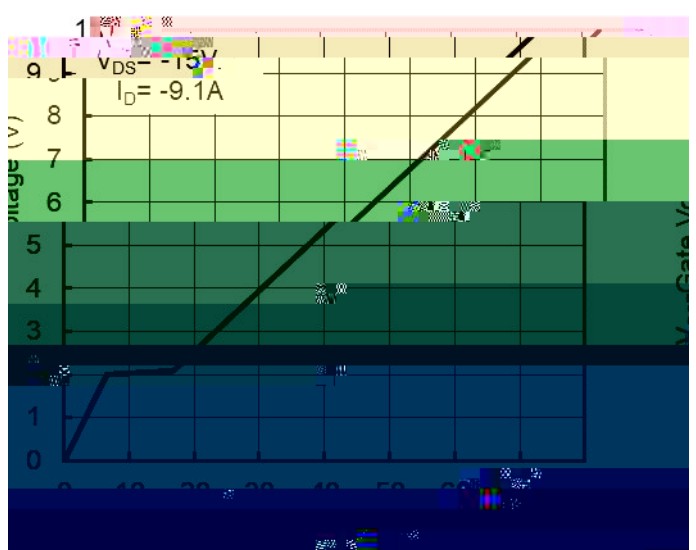
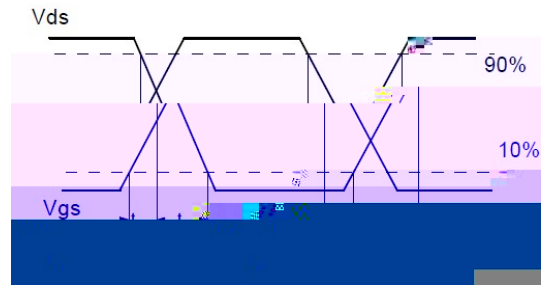
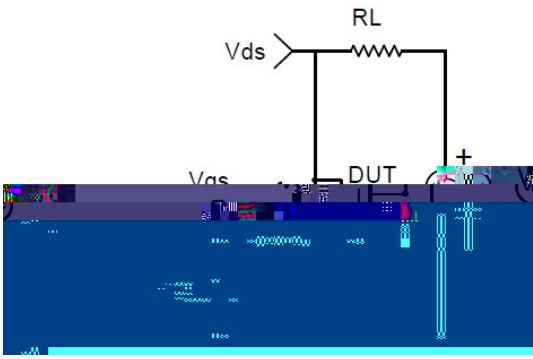
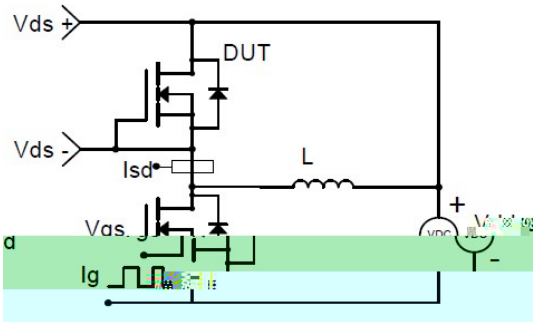


Figure 6. Gate Charge

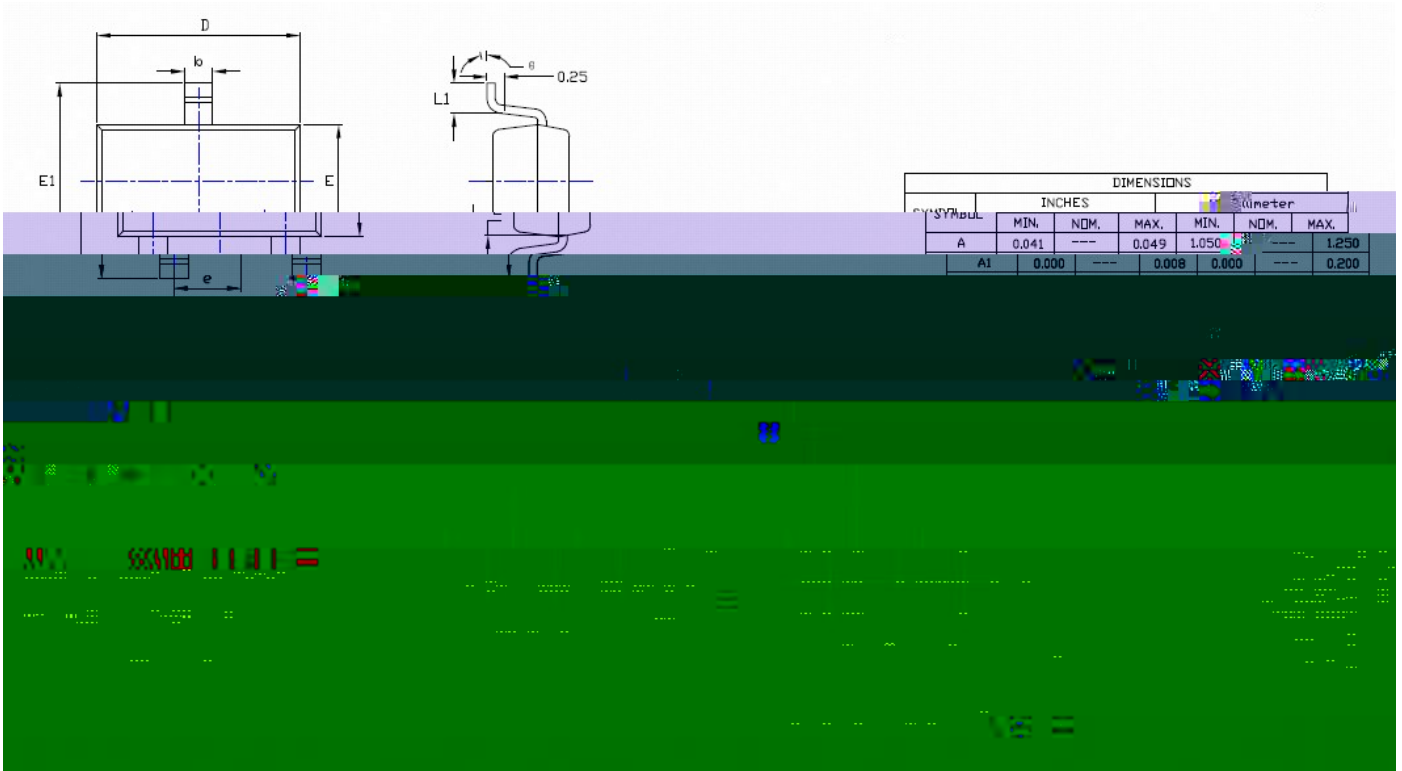


Resistive Switching Test Circuit & Waveforms





SOF-23 3L Package information





YJL10P02AL

Disclaimer
