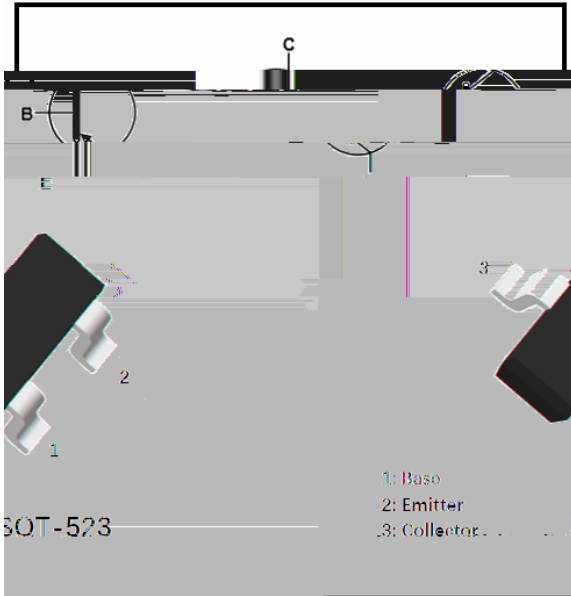


PNP General Purpose Amplifier



Features

- Moisture Sensitivity Level 1
- Surface mount package ideally Suited for Automatic Insertion
- Epoxy meets UL-94 V-0 flammability rating, halogen-free

Mechanical Data

- Package:** SOT-523
- Terminals:** Tin plated leads, solderable per J-STD-002 and JESD22-B102
- Marking:** 3N

Maximum Ratings (Ta=25 Unless otherwise specified)

Item	Symbol	Unit	Conditions	Value
Collector-Emitter Voltage	V_{CEO}	V	$I_C = -1.0\text{mA}, I_B = 0$	-40
Collector-Base Voltage	V_{CBO}	V	$I_C = -10\mu\text{A}, I_E = 0$	-40
Emitter-Base Voltage	V_{EBO}	V	$I_E = -10\mu\text{A}, I_C = 0$	-5
Collector Current	I_C	mA		-200
Collector Power Dissipation	P_C	mW		150
Thermal Resistance Junction to Ambient	R_{JA}	/W		833
Operation Junction Temperature	T_J			-55 to +150
	STG			-55 to +150



MMBT3906T

Electrical Characteristics (Ta=25 unless otherwise specified)

Item	Symbol	Unit	Conditions	Min	Max
Collector-Emitter Voltage	V_{CE0}	V	$I_C=-1.0\text{mA}, I_B=0$	-40	
Collector-Base Voltage	V_{CBO}	V	$I_C=-10\mu\text{A}, I_E=0$	-40	
Emitter-Base Voltage	V_{EBO}	V	$I_E=-10\mu\text{A}, I_C=0$	-5	
Collector-base Cut-off Current	I_{CBO}	μA	$V_{CB}=-40\text{Vdc}$		-0.1
Emitter-base cut-off current	I_{EBO}	μA	$V_{EB}=-5\text{Vdc}$		-0.1
Collector-emitter Cut-off Current	I_{CEX}	μA	$V_{CE}=-30\text{Vdc}, V_{EB}=-3\text{Vdc}$		-0.05
DC Current Gain	h_{FE}		$I_C=-0.1\text{mA}, V_{CE}=-1.0\text{Vdc}$	60	
			$I_C=-1.0\text{mA}, V_{CE}=-1.0\text{Vdc}$	80	
			$I_C=-10\text{mA}, V_{CE}=-1.0\text{Vdc}$	100	300
			$I_C=-50\text{mA}, V_{CE}=-1.0\text{Vdc}$	60	
			$I_C=-100\text{mA}, V_{CE}=-1.0\text{Vdc}$	30	
Collector-Emitter Saturation Voltage	$V_{CE(sat)}$	V	$I_C=-10\text{mA}, I_B=-1.0\text{mA}$		-0.25
			$I_C=-50\text{mA}, I_B=-5.0\text{mA}$		-0.4
Base-Emitter Saturation Voltage	$V_{BE(sat)}$	V	$I_C=-10\text{mA}, I_B=-1.0\text{mA}$	-0.65	-0.85
			$I_C=-50\text{mA}, I_B=-5.0\text{mA}$		-0.95
Collector-base Output Capacitance	C_{obo}	pF	$V_{CB}=-5.0\text{Vdc}, f=1.0\text{MHz}, I_E=0$		4.5
Transition frequency	f_T	MHz	$I_C=-10\text{mA}, V_{CE}=-20\text{V}, f=100\text{MHz}$	250	
Delay Time	t_d	ns	$V_{CC}=-3.0\text{V}, V_{BE}=-0.5\text{V}, I_C=-10\text{mA}, I_{B1}=-1.0\text{mA}$	35	
Rise Time	t_r	ns		35	
Storage Time	t_s	ns	$V_{CC}=-3.0\text{V}, I_C=-10\text{mA}, I_{B1}=I_{B2}=-1.0\text{mA}$	225	
Fall Time	t_f	ns		75	

Ordering Information (Example)

Preferred P/N	Packing Code	Unit Weight(G)	Minimum Package(Pcs)	Inner Box Quantity(Pcs)	Outer Carton Quantity(Pcs)	Delivery Mode
MMBT3906T	F2	Approximate 0.0027	3000	30000	120000	7" reel

MMBT3906T

Characteristics (Typical)

.

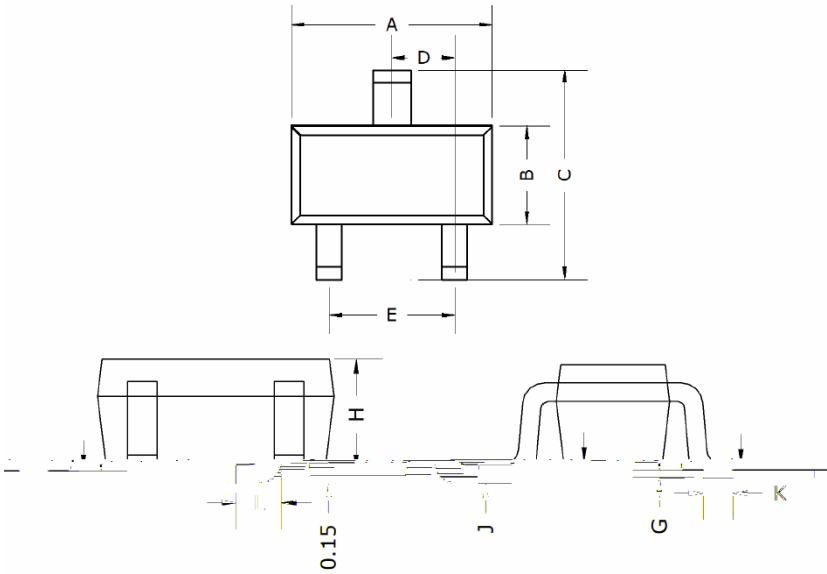
.

.



MMBT3906T

SOT-523 Package Outline Dimensions



DIMENSIONS				
DIM	INCHES		MM	
	MIN	MAX	MIN	MAX
A	0.059	0.067	1.50	1.70
B	0.030	0.033	0.75	0.85
C	0.057	0.069	1.45	1.75
D	0.020TYP		0.50TYP	
E	0.035	0.043	0.90	1.10
G	0.000	0.004	0.00	0.10
H	0.024	0.031	0.60	0.80
J	0.004	0.008	0.10	0.20
K	0.006	0.014	0.15	0.35



Disclaimer

The information presented M M a . in