



# Schottky Diodes

## Features



## Typical Applications

## Mechanical Data

Package

Terminals

Polarity

## Maximum Ratings

PARAMETER	SYMBOL	UNIT	MBR40100CT

## Electrical Characteristics




# MBR40100CT

## Thermal Characteristics

PARAMETER	SYMBOL	UNIT	MBR40100CT

## Ordering Information

PREFERED P/N	UNIT WEIGHT(g)	MINIIMUM PACKAGE(pcs)	INNER BOX QUANTITY(pcs)	OUTER CARTON QUANTITY(pcs)	DELIVERY MODE

## Characteristics

FIG1:Io -Tc Curve

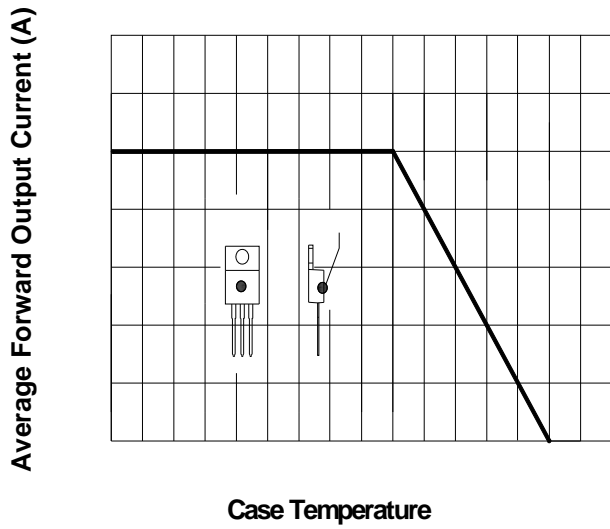
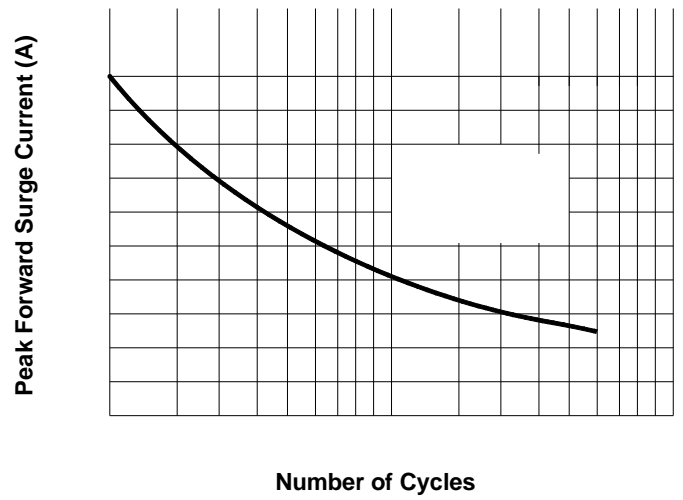


FIG2:Surge Forward Current Capability

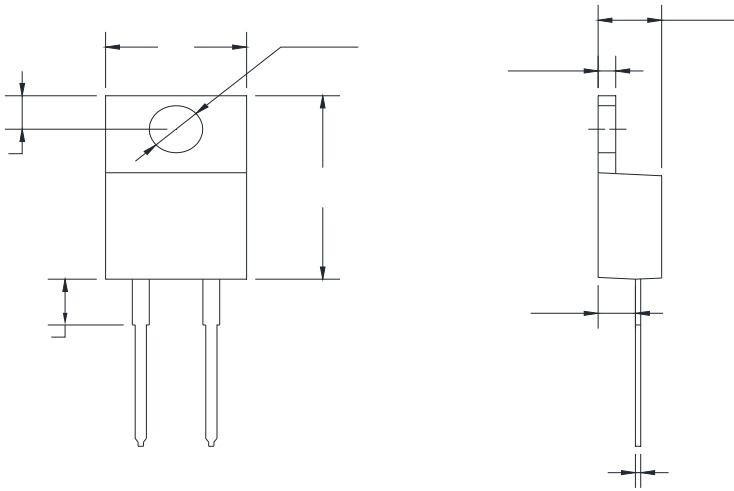




# MBR40100CT

---

## Outline Dimensions





**Disclaimer**